


RHINO WET WASTE INTERCEPTOR


- Reduces the amount of wet waste solids and greases flowing into drainage systems.
- Reduces clogging and maintenance of drainage piping.
- Reduces the cost to municipalities of treating sewage at treatment plants.
- Reduces the number of grease trap cleaning required.
- Reduces the odor created by a grease trap.
- Greatly reduces the need for costly enzymes and bacteria treatments.

COMPONENTS


#MU008  **MAIN UNIT**
Compact and light. Made of high density polyethylene.

#L004  **LID**
Large and easy to open lid facilitating filter change. Made of high density polyethylene.



#FM007  **FILTRATION MEMBRANE**
Specially knitted to permit adequate expansion (Pat. Pend. in U.S., Canada and elsewhere).

#IC002  **INLET CONNECTION**
Made of high density polyethylene.

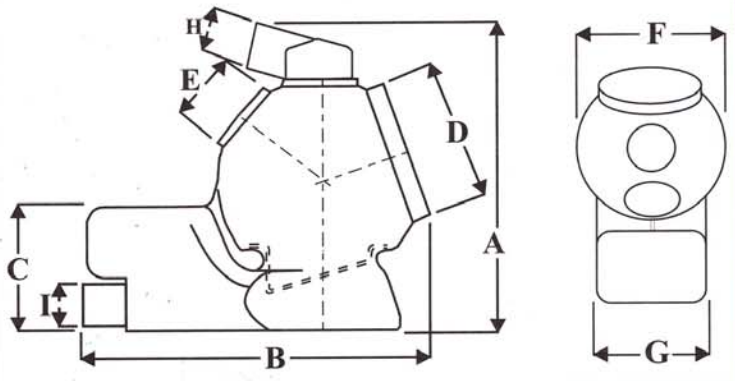
#S006  **STRAINER**
Designed to support the filtration membrane as it fills up. Made of polyethylene.

#GB009  **GROUND BRACKET**
Stainless steel anti-rust bracket to secure the unit to its base.

#ITR001  **INLET TIGHTENING RING**

#LG005  **LID GASKET**
#IG003  **INLET GASKET**
Internal (2) gasket.

DIMENSIONS



A	B	C	D	E	F	G	H	I
OVERALL HEIGHT	OVERALL LENGTH	REAR END HEIGHT	COVER OPENING	VENT CONNECTION	OVERALL WIDTH	REAR END WIDTH	INLET CONNECTION	OUTLET CONNECTION
in.	in.	in.	in.	in.	in.	in.	in.	in.
17	17¼	6¾	7½	4	11	8½	2	2
cm.	cm.	cm.	cm.	cm.	cm.	cm.	cm.	cm.
43.1	43.8	17.1	19	10.1	27.9	21.5	5.1	5.1

FILTRATION MEMBRANE



A specially designed filtration membrane (Pat. Pend. in U.S., Canada and elsewhere), with unique characteristics to capture wet waste solids and grease.

- Nylon Fiber
- 40 Denier
- 13 filaments yarn
- 1 Ply
- 23% Elongation
- 7.8 grams per denier strength

